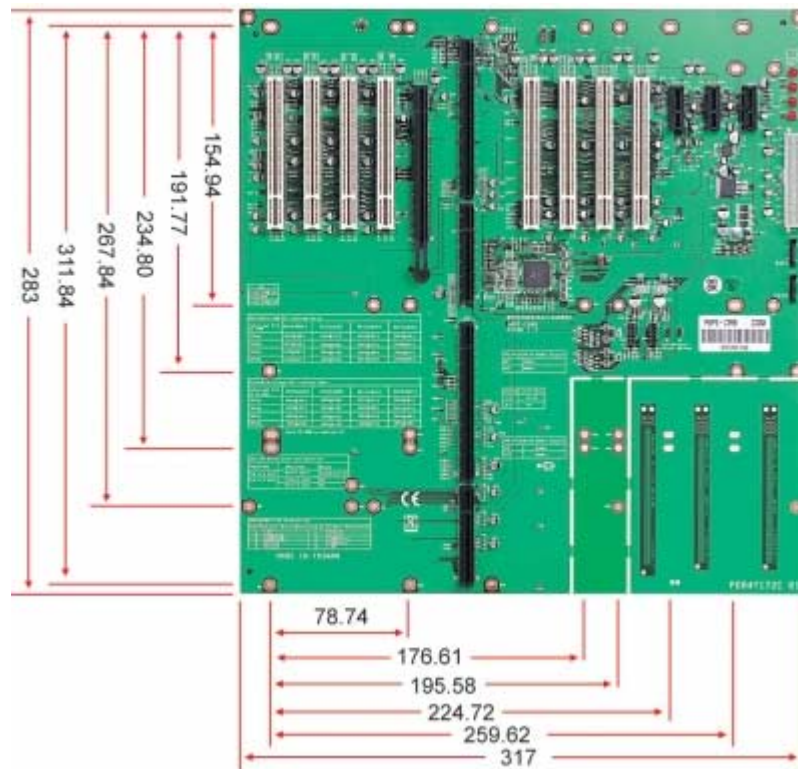


## PBPE-13A8

13-slot [PCI (8), PCI-E x16 (1), PEI-E x1 (3)]PICMG 1.3 Backplane



- [Ordering Guide](#)
- [Larger Image\(s\)](#)
- [Download](#)
- [Datasheet \(PDF\)](#)

### PICMG GENERAL DESCRIPTION

PICMG Backplane in this section are SBC (Single Board Computer)/SHB (Single Host Board) companion that feature expansion slots such as ISA, PCI, PCI-X or PCI Express interface. In addition, backplane also features several power connectors that drawn power from power supply to devices on it. Some LEDs are designed on-board to indicate status of each power rail.

PICMG 1.0 support both ISA & PCI, PICMG 1.2 support dual PCI or PCI-X, and PICMG 1.3 support PCI Express and PCI expansion. However, some bridges or switches can be applied to backplane to support more devices or different kind of expansion interfaces. However, PICMG 1.0, 1.2, and 1.3 are not compatible each other. Please watch out the category of backplane that you are choosing for the project.

### FEATURES

- Fit for 4U chassis
- Four USB ports
- Dual SATA port
- 24-pin ESP12V power connector