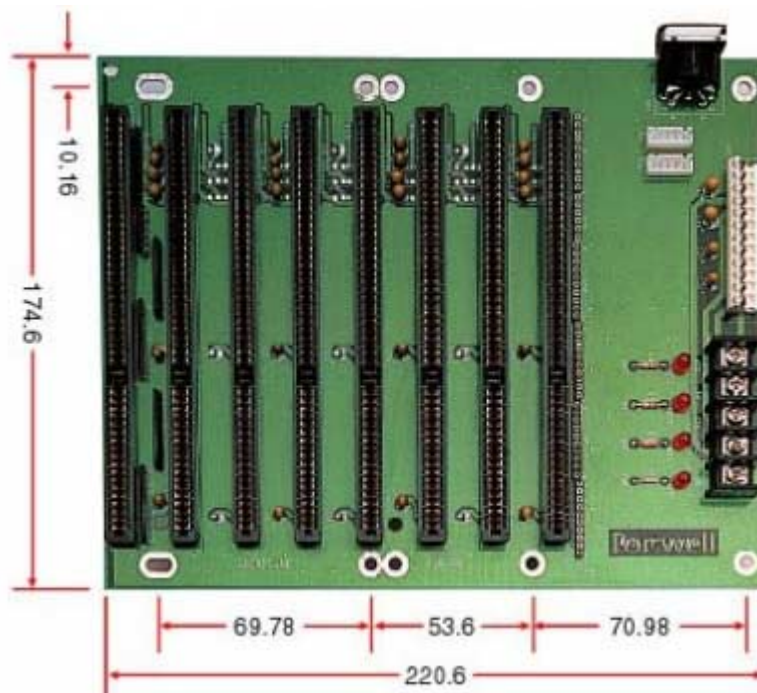


PBP-08I

8-slot passive ISA backplane



- [Ordering Guide](#)
- [Download Larger Image\(s\)](#)
- [Download Datasheet \(PDF\)](#)

ISA GENERAL DESCRIPTION

- 4-layer PCB with ground and power planes for reducing noise and keeping lower impedance
- Frame Rated PCB at 94-V0
- LED power indicator for +5V,+12V,-5V and 12V
- Heavy duty terminal block connector for industrial power supply wiring(*)
- Equipped with gold-plated socket for good contact
- Easy cut for dual or multi system(*)
- Plug-in sockets of termination resistors for highspeed signal(*)

***means for most part of products

FEATURES

- 220.6(L) x 174.6(W) mm;8.69"(L) x 6.87"(W)