

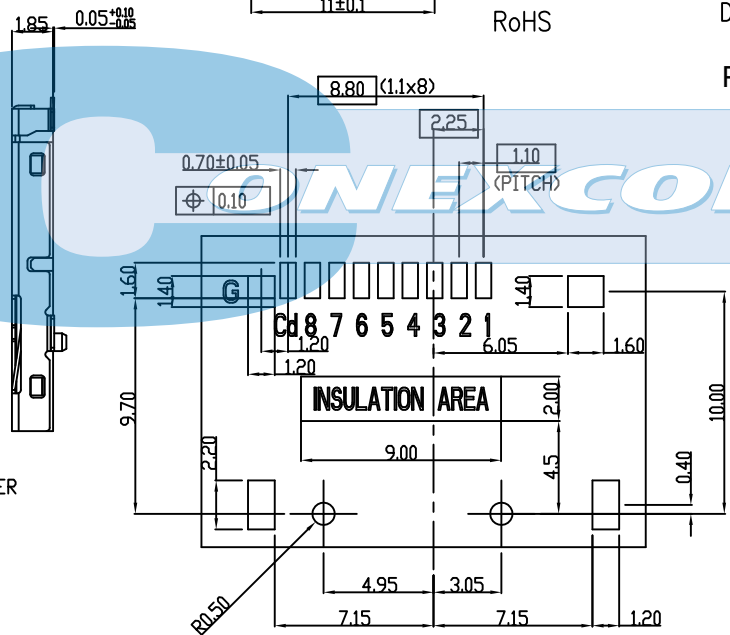
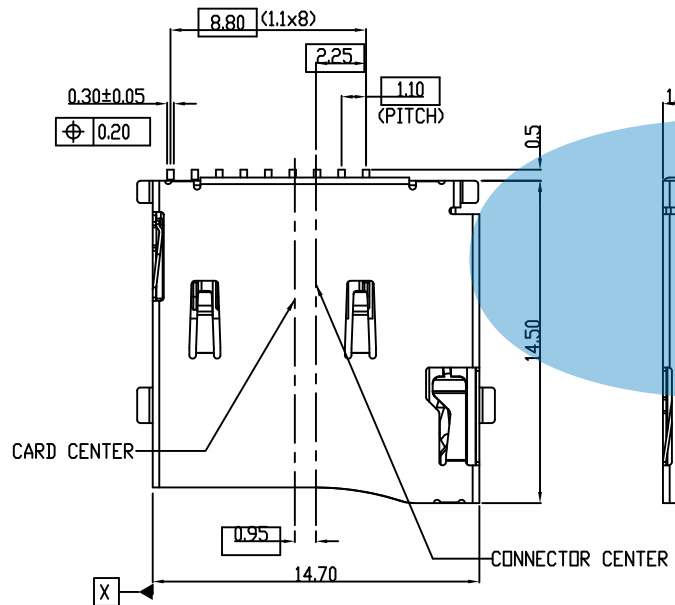
Material:
 Plastic Body : LCP+35%GF, Color Black.
 Slider : LCP+35%GF, Color Black.

Contact :Phosphor Bronze Alloy (C5210R-EH)
 Contacts Plating:Contact area: Gold 10 micro inches (Min.)
 Solder area: Gold flash
 All under-plated Ductile Nickel 50 micro inches (Min.)

Shell :SUS304R-3/4H
 Plating:
 Contact area: Gold flash
 Solder area: Gold flash
 All under-plated Ductile Nickel 12 micro inches (Min.)

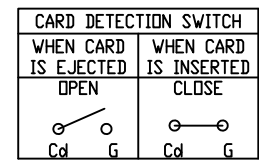
Spring : Piano Wire
 Drag Link : SUS304

Part Number: 5517-T081



RECOMMEND PC BOARD LAYOUT

T = Plating Options
 T=3 Gold Flash



PART NAME	Q'TY	MATERIAL
BODY	1	LCP+35%GF
SLIDER	1	LCP+35%GF
CONTACT	1	C5210R-EH
SHELL	1	SUS304R-3/4H
DRAG LINK	1	SUS304
SPRING	1	PIAND WIRE

PIN NUMBER	PIN ASSIGNMENT	PIN NUMBER	PIN ASSIGNMENT
1	DAT2	6	VSS
2	CD/DAT3	7	DAT0
3	CMD	8	DAT1
4	VDD	Cd	CARD DETECTION
5	CLK	G	GROUND

UNLESS OTHERWISE SPECIFIED TOLERANCE
 ANG. ±5°
 0. ±
 .0 ±0.25
 .00 ±0.20

SCALE: AS SHOWN UNIT: mm
 DRAWN Willis 2007/11/6
 CHECKED / /
 APPROVED / /



DRAWN NAME: Micro SD Socket Push-Push Type
 PRODUCT NO. 5517-T081
 FILE NAME:

REV.	DESCRIPTION	DATE	SIZE	REV.
1			A4	